



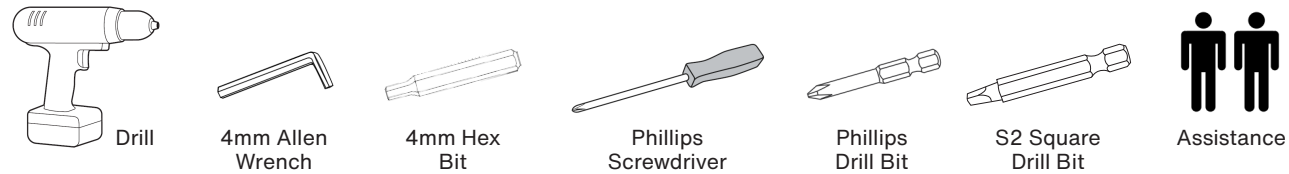


EPIC TABLES

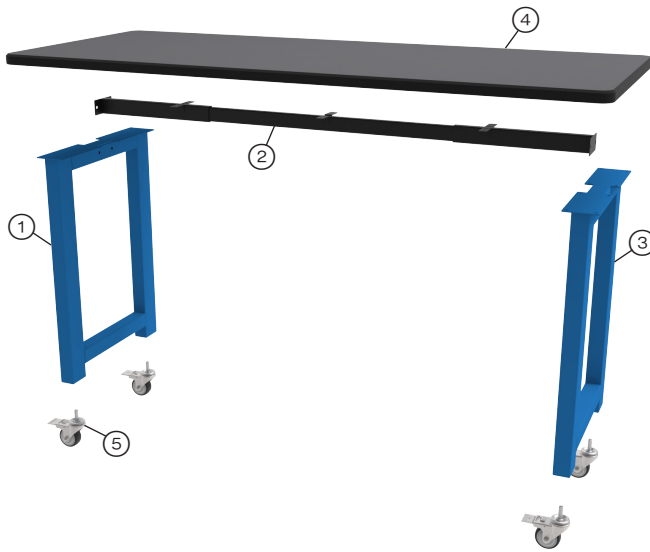
 NOTE: These instructions are based on model #EPC7083-WFX. These instructions work for all EPIC Table models with laminate, phenolic, stainless steel, and 1 pc butcher block tops. Product images are for illustrative purposes only and may differ from actual product.

 The assembly of this desk requires the assistance of another person.

TOOLS NEEDED



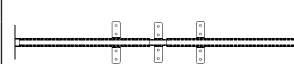





PARTS



PARTS x QTY

#	DESCRIPTION x QTY
1	Left EPIC Frame Leg x 1
2	Adjustable Cross Bar x 1
3	Right EPIC Frame Leg x 1
4	Laminate Top x 1
5	3" Heavy-Duty Locking Casters x 4

HARDWARE x QTY

 34-64" Adjustable cross bar 0067855 OR 46-64" Adjustable cross bar 0406852	 #10x ³ / ₄ " Square pan screw x 6 0408231
 1/4" - 20x45mm Joint connector bolt x 4 04067960	 1/4"-20x19mm Joint connector bolt w/ Loctite x 16 04088861
 1/4"-20 Joint connector nut x 4 04009022	 3" Heavy-duty locking caster x 4 0400993

EPIC FRAME LEGS

Model #	SKU #	Description
EPC -FX	04067852	EPIC fixed frame leg*
EPC -WFX	04067853	EPIC fixed frame leg*
EPC -SFX	04067854	EPIC fixed frame leg*

*Includes 3" heavy duty locking casters.



NOTE: Hardware packs are included in packaging. You may receive more hardware than needed. Discard any extra hardware after assembly.



CAUTION! Some parts may have sharp edges. Care must be taken when handling various pieces to avoid injury. For your safety, wear a pair of work gloves when assembling.

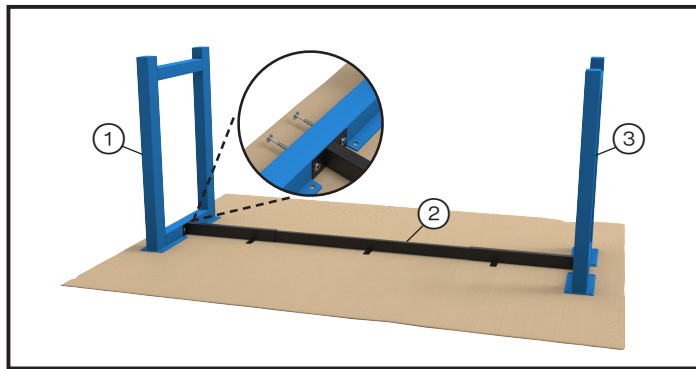
ASSEMBLY

- Place left EPIC frame leg ① with plate facing down on a protected flat surface.
- Align holes in the end plate of the cross bar ② with the frame leg ①. Make sure the tabs on the cross bar ② are facing down.

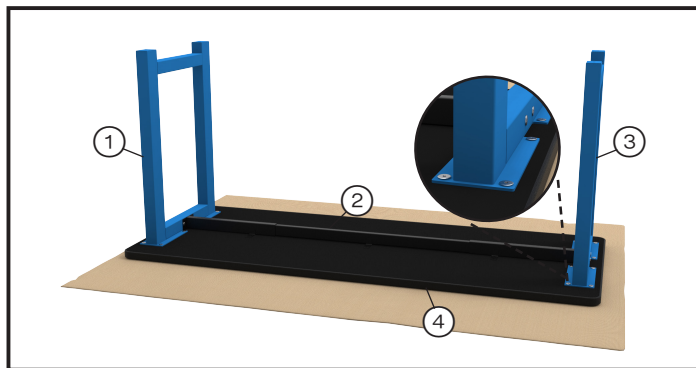
Connect cross bar ② to the frame leg ① using 1/4"-20 x 45mm joint connector bolts and 1/4"-20 joint connector nuts.

Use a screw gun and a 4mm hex bit to tighten the joint connector bolts to the nut. We suggest using a 4mm hex wrench to hold the nut in place while tightening the bolt.

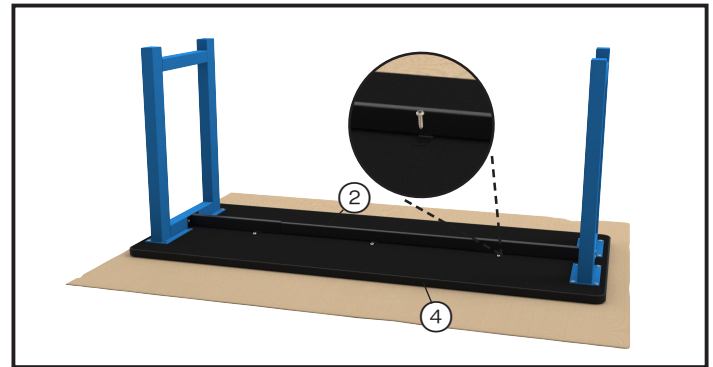
Repeat for other frame leg.



- Place the EPIC top ④ face down on a protected flat surface so threaded inserts and pre-drilled pilot holes are facing up.
- Place frame legs/cross bar ①, ②, & ③ on the top and align with threaded inserts & pre-drilled pilot holes.
Using a screw gun and a 4mm hex bit, secure both frame legs ① & ③ to top ④ with 1/4"-20 x 19mm joint connector bolts. Use (8) bolts for each frame leg ① & ③.



- Using a screw gun and a # S2 square bit, secure cross bar ② to top ④ with #10 x 3/4" square pan screws. Use one screw per tab with a total of (6) screws being used (1 per tab).



- Before placing caster ⑤ in the bottom of the frame leg ①, lock the caster ⑤ by pushing down on the brake lever.

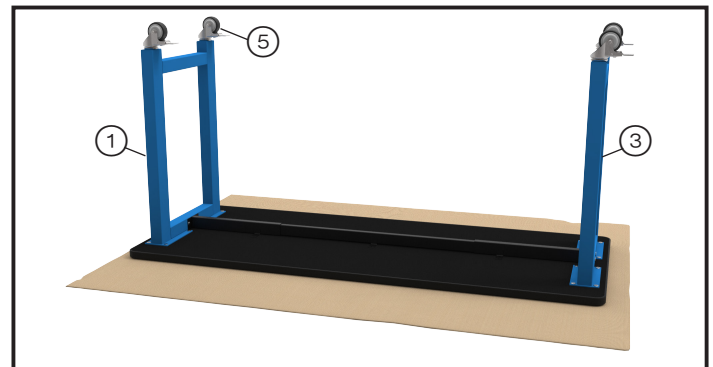
Twist the stem of the caster ⑤ into the hole on the bottom of the frame leg ①.

Use 1 1/8" socket wrench to tighten 3/4" nut on stem of caster ⑤.

Repeat for remaining casters ⑤ and frame legs ① & ③.



NOTE: Casters are not to be used as a leveling device. Loctite on casters will cause some resistance while tightening, please make sure that casters are tightened all the way to prevent possible damage to the stem of the caster.



- With the help of another person, flip table over to the upright position.
- If a table is ordered with a stainless steel top, there will be a laser film applied to prevent scratches during transport. Remove film from the top. We recommend using a solvent containing MEK to help with ease of removal of the film.