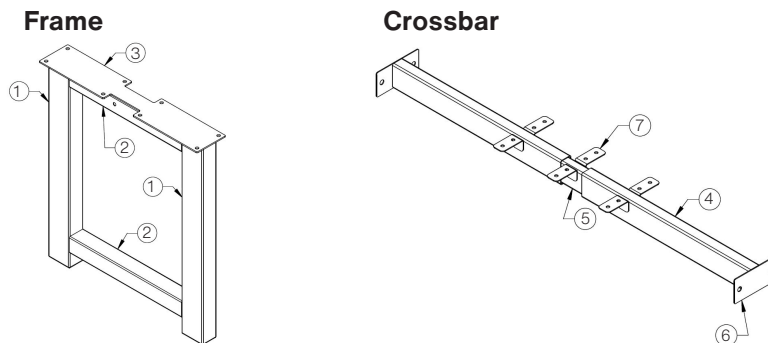


Tops

- Laminate Top w/ Lotz™ Armor Edge (Standard)** High pressure laminate (HPL) top and moisture preventative & gum resistant phenolic backer bonded to 1.125" thick medium density fiberboard (MDF) core. Total top thickness 1.25". Choice of WB standard HPL. Lotz™ Armor Edge is a WB exclusive polyurea that is extremely strong and durable. This edge will not separate from the MDF core and makes the edge completely water tight. 0.25" beveled radius edge. See catalog for color options.
- Laminate Top w/3mm Edge Band (Optional)** High pressure laminate (HPL) top and moisture preventative & gum resistant phenolic backer bonded to 1.125" thick particle board core. Total top thickness 1.25". Choice of WB standard HPL. 3mm PVC edge banding is applied to all edges, radius corners. Color matching unless otherwise specified. Complimentary colors available upon request. See catalog for color options.
- Butcher Block Top** Hardwood: 1.75" thick, face-glued hardwood strips with 0.125" radius all corners/edges with two coats catalyzed clear lacquer top and sides with one clear coat bottom. Tops over 36" come in 2 pieces, 0.5" undersized, field assembled with joint connector bolts. Not recommended in areas with high exposure to moisture, such as sink locations. This will void the MFG Warranty.
- Stainless Steel Top** 1.625" thick, 16-gauge 304 stainless steel worksurface with particle board core. Wrapped and welded corners with a Safety J edge with moisture preventative & gum resistant phenolic backer. (Not suitable for food preparation or intended for heavy wash-down areas.) Note: Stainless Steel tops are shipped with a protective laser film to prevent scratching during transportation. We recommend using products containing M.E.K. for ease during removal of the film.
- Phenolic Top** 1" thick black phenolic resin and cellulose fiber composite top with 0.125" radius edges and corners with high resistance to chemicals, humidity and abrasions.

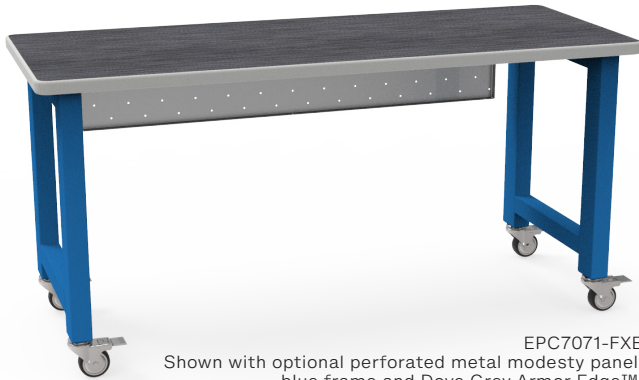
Frame

- Frame Leg Tubes** The frame is 16-gauge steel and is fully MIG welded together. Frame leg tubes ① are 3" x 2" and tubes ② are 2" x 2". The 10-gauge mounting plate ③ is welded to the tubes and is attached to the table top using joint connector bolts. The frame legs come standard with a 3" heavy duty locking caster that has a 3/8" x 16 x 1 stem with thread. Casters are NOT to be used as a leveling device and require field assembly.
- Cross Bar** The adjustable crossbar consists of an outer 16-gauge tube ④ which is 1" x 2" and an inner 16-gauge tube ⑤ which is 3/4" x 1 3/4". The crossbar is attached to the frame using joint connector bolts and nuts going through a 16-gauge plate ⑥ located on both ends of the crossbar. The crossbar has welded 16-gauge steel tabs ⑦ at preset locations for fastening the crossbar to the back of the table top using #10 square pan screws.
- Finish** The frame comes standard with a smooth silver finish and the crossbar is textured black. Premium colored frames are optional. See Catalog for color options.



Shipping Class: Frames: Density Based Class*, Tops: 70
NMFC# for Frames: Frames: 82790
NMFC# for Tops: Laminate/Phenolic Tops: 83620-2
 Hardwood/Stainless Steel Tops: 83640
 *Based on qty. shipped

EPIC Rectangle Tables w/ Laminate Top



EPC7071-FXB
Shown with optional perforated metal modesty panel, blue frame and Dove Grey Armor Edge™.

EPIC Rectangle Table with Laminate Top: 30"D

Lotz AE™ Top	AE™ Wgt	3mm Top	3mm Wgt	Top D" x L"	Table H"
EPC7079-FX	71	EPC6079-FX	69	30 x 42	29.36
EPC7080-FX	78	EPC6080-FX	75	30 x 48	29.36
EPC7081-FX	85	EPC6081-FX	81	30 x 54	29.36
EPC7082-FX	91	EPC6082-FX	88	30 x 60	29.36
EPC7083-FX	105	EPC6083-FX	100	30 x 72	29.36
EPC7079-WFX	73	EPC6079-WFX	71	30 x 42	36
EPC7080-WFX	80	EPC6080-WFX	77	30 x 48	36
EPC7081-WFX	87	EPC6081-WFX	83	30 x 54	36
EPC7082-WFX	93	EPC6082-WFX	90	30 x 60	36
EPC7083-WFX	107	EPC6083-WFX	102	30 x 72	36
EPC7079-SFX	74	EPC6079-SFX	72	30 x 42	40
EPC7080-SFX	81	EPC6080-SFX	78	30 x 48	40
EPC7081-SFX	88	EPC6081-SFX	84	30 x 54	40
EPC7082-SFX	94	EPC6082-SFX	91	30 x 60	40
EPC7083-SFX	108	EPC6083-SFX	103	30 x 72	40

EPIC Tide Tables w/ Laminate Top



EPC7805-FX

Specifications are subject to change. Product images are for illustrative purposes only and may differ from the actual product.

EPIC Rectangle Table with Laminate Top: 24"D

Lotz AE™ Top	AE™ Wgt	3mm Top	3mm Wgt	Top D" x L"	Table H"
EPC7068-FX	62	EPC6068-FX	60	24 x 42	29.36
EPC7069-FX	67	EPC6069-FX	65	24 x 48	29.36
EPC7070-FX	73	EPC6070-FX	70	24 x 54	29.36
EPC7071-FX	78	EPC6071-FX	75	24 x 60	29.36
EPC7072-FX	89	EPC6072-FX	85	24 x 72	29.36
EPC7068-WFX	64	EPC6068-WFX	62	24 x 42	36
EPC7069-WFX	69	EPC6069-WFX	67	24 x 48	36
EPC7070-WFX	75	EPC6070-WFX	72	24 x 54	36
EPC7071-WFX	80	EPC6071-WFX	77	24 x 60	36
EPC7072-WFX	92	EPC6072-WFX	87	24 x 72	36
EPC7068-SFX	65	EPC6068-SFX	63	24 x 42	40
EPC7069-SFX	70	EPC6069-SFX	68	24 x 48	40
EPC7070-SFX	76	EPC6070-SFX	73	24 x 54	40
EPC7071-SFX	81	EPC6071-SFX	78	24 x 60	40
EPC7072-SFX	92	EPC6072-SFX	88	24 x 72	40

EPIC Rectangle Table with Laminate Top: 36"D

Lotz AE™ Top	AE™ Wgt	3mm Top	3mm Wgt	Top D" x L"	Table H"
EPC7090-FX	89	EPC6090-FX	85	36 x 48	29.36
EPC7092-FX	105	EPC6092-FX	100	36 x 60	29.36
EPC7093-FX	120	EPC6093-FX	115	36 x 72	29.36
EPC7090-WFX	91	EPC6090-WFX	87	36 x 48	36
EPC7092-WFX	107	EPC6092-WFX	102	36 x 60	36
EPC7093-WFX	122	EPC6093-WFX	117	36 x 72	36
EPC7090-SFX	92	EPC6090-SFX	88	36 x 48	40
EPC7092-SFX	108	EPC6092-SFX	103	36 x 60	40
EPC7093-SFX	123	EPC6093-SFX	118	36 x 72	40

EPIC Rectangle Table with Laminate Top: 42"D

Lotz AE™ Top	AE™ Wgt	3mm Top	3mm Wgt	Top D" x L"	Table H"
EPC7134-FX	99	EPC6134-FX	95	42 x 48	29.36
EPC7099-FX	118	EPC6099-FX	113	42 x 60	29.36
EPC7100-FX	136	EPC6100-FX	130	42 x 72	29.36
EPC7134-WFX	101	EPC6134-WFX	97	42 x 48	36
EPC7099-WFX	120	EPC6099-WFX	115	42 x 60	36
EPC7100-WFX	138	EPC6100-WFX	132	42 x 72	36
EPC7134-SFX	102	EPC6134-SFX	98	42 x 48	40
EPC7099-SFX	121	EPC6099-SFX	116	42 x 60	40
EPC7100-SFX	139	EPC6100-SFX	133	42 x 72	40

EPIC Tide Table with Laminate Top

Lotz AE™ Top	AE™ Wgt	3mm Top	3mm Wgt	Top D" x L"	Table H"
EPC7805-FX	76	EPC6805-FX	73	30 x 54	29.36
EPC7805-WFX	78	EPC6805-WFX	75	30 x 54	36
EPC7805-SFX	79	EPC6805-SFX	76	30 x 54	40

EPIC Tables w/ Hardwood Top



EPC9070-FXG
Shown with optional laminate modesty panel and green frame

Fixed Frame: 16-gauge heavy duty fully assembled steel frame and legs with 10-gauge mounting plates, fixed heights with 3" heavy duty casters (Casters installed onsite by others and are NOT to be used as leveling devices.), smooth silver or textured black finish

Overall H": -FX: 29.86" overall height
-WFX: 36.5" overall height
-SFX: 40.5" overall height

Hardwood Top: 1.75" thick face-glued hardwood strips with 0.125" radius edge and clear catalyzed lacquer finish 2 coats top and 1 coat bottom. *Tops over 36" come in 2 pieces, 0.5" undersized, field assembled with joint connector bolts.



Field joint for hardwood butcher block tops over 36"D



1.75"
Hardwood



Field assembled 2 piece top with virtually seamless joint*

EPIC Tables with Hardwood Top: 24"D

Hardwood Top	Top D" x L"	Wgt	Overall H"
EPC9068-FX	24 x 42	74	29.86
EPC9069-FX	24 x 48	81	29.86
EPC9070-FX	24 x 54	88	29.86
EPC9071-FX	24 x 60	95	29.86
EPC9072-FX	24 x 72	109	29.86
EPC9068-WFX	24 x 42	76	36.5
EPC9069-WFX	24 x 48	83	36.5
EPC9070-WFX	24 x 54	90	36.5
EPC9071-WFX	24 x 60	97	36.5
EPC9072-WFX	24 x 72	111	36.5
EPC9068-SFX	24 x 42	77	40.5
EPC9069-SFX	24 x 48	84	40.5
EPC9070-SFX	24 x 54	91	40.5
EPC9071-SFX	24 x 60	98	40.5
EPC9072-SFX	24 x 72	112	40.5

EPIC Tables with Hardwood Top: 30"D

Hardwood Top	Top D" x L"	Wgt	Overall H"
EPC9079-FX	30 x 42	86	29.86
EPC9080-FX	30 x 48	95	29.86
EPC9081-FX	30 x 54	104	29.86
EPC9082-FX	30 x 60	113	29.86
EPC9083-FX	30 x 72	130	29.86
EPC9079-WFX	30 x 42	88	36.5
EPC9080-WFX	30 x 48	97	36.5
EPC9081-WFX	30 x 54	106	36.5
EPC9082-WFX	30 x 60	115	36.5
EPC9083-WFX	30 x 72	132	36.5
EPC9079-SFX	30 x 42	89	40.5
EPC9080-SFX	30 x 48	98	40.5
EPC9081-SFX	30 x 54	107	40.5
EPC9082-SFX	30 x 60	116	40.5
EPC9083-SFX	30 x 72	133	40.5

EPIC Tables with Hardwood Top: 36"D

Hardwood Top	Top D" x L"	Wgt	Overall H"
EPC9090-FX	36 x 48	109	29.86
EPC9092-FX	36 x 60	130	29.86
EPC9093-FX	36 x 72	151	29.86
EPC9090-WFX	36 x 48	111	36.5
EPC9092-WFX	36 x 60	132	36.5
EPC9093-WFX	36 x 72	153	36.5
EPC9090-SFX	36 x 48	112	40.5
EPC9092-SFX	36 x 60	133	40.5
EPC9093-SFX	36 x 72	154	40.5

EPIC Tables with Hardwood Top: 42"D*

Hardwood Top	Top D" x L"	Wgt	Overall H"
EPC9134-FX	42 x 48	123	29.86
EPC9099-FX	42 x 60	148	29.86
EPC9100-FX	42 x 72	172	29.86
EPC9134-WFX	42 x 48	125	36.5
EPC9099-WFX	42 x 60	150	36.5
EPC9100-WFX	42 x 72	174	36.5
EPC9134-SFX	42 x 48	126	40.5
EPC9099-SFX	42 x 60	151	40.5
EPC9100-SFX	42 x 72	175	40.5

*Top is in 2 pieces, 0.5" undersized, field assembled with joint connector bolts.

EPIC Tables w/ Stainless Steel Top

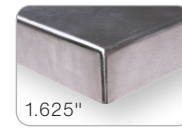


EPCSJ070-FXB
Shown with optional blue frame

Fixed Frame: 16-gauge heavy duty fully assembled steel frame and legs with 10-gauge mounting plates, fixed heights with 3" heavy duty casters (Casters installed onsite by others and are NOT to be used as leveling devices.), smooth silver or textured black finish

Overall H": -FX: 29.74" overall height
-WFX: 36.38" overall height
-SFX: 40.38" overall height

Stainless Steel: 16-gauge 304 stainless steel with particle board core, 1.625" thick, wrapped and welded all corners with Safety J edge, phenolic backer



1.625"

Stainless Steel

EPIC Tables with Stainless Steel Top: 24"D

Stainless Steel Top	Top D" x L"	Wgt	Overall H"
EPCSJ068-FX	24 x 42	102	29.74
EPCSJ069-FX	24 x 48	113	29.74
EPCSJ070-FX	24 x 54	124	29.74
EPCSJ071-FX	24 x 60	135	29.74
EPCSJ072-FX	24 x 72	157	29.74
EPCSJ068-WFX	24 x 42	104	36.38
EPCSJ069-WFX	24 x 48	115	36.38
EPCSJ070-WFX	24 x 54	126	36.38
EPCSJ071-WFX	24 x 60	137	36.38
EPCSJ072-WFX	24 x 72	159	36.38
EPCSJ068-SFX	24 x 42	105	40.38
EPCSJ069-SFX	24 x 48	116	40.38
EPCSJ070-SFX	24 x 54	127	40.38
EPCSJ071-SFX	24 x 60	138	40.38
EPCSJ072-SFX	24 x 72	160	40.38

EPIC Tables with Stainless Steel Top: 30"D

Stainless Steel Top	Top D" x L"	Wgt	Overall H"
EPCSJ079-FX	30 x 42	121	29.74
EPCSJ080-FX	30 x 48	135	29.74
EPCSJ081-FX	30 x 54	149	29.74
EPCSJ082-FX	30 x 60	163	29.74
EPCSJ083-FX	30 x 72	190	29.74
EPCSJ079-WFX	30 x 42	123	36.38
EPCSJ080-WFX	30 x 48	137	36.38
EPCSJ081-WFX	30 x 54	151	36.38
EPCSJ082-WFX	30 x 60	165	36.38
EPCSJ083-WFX	30 x 72	192	36.38
EPCSJ079-SFX	30 x 42	124	40.38
EPCSJ080-SFX	30 x 48	138	40.38
EPCSJ081-SFX	30 x 54	152	40.38
EPCSJ082-SFX	30 x 60	166	40.38
EPCSJ083-SFX	30 x 72	193	40.38

EPIC Tables with Stainless Steel Top: 36"D

Stainless Steel Top	Top D" x L"	Wgt	Overall H"
EPCSJ090-FX	36 x 48	157	29.74
EPCSJ092-FX	36 x 60	190	29.74
EPCSJ093-FX	36 x 72	223	29.74
EPCSJ090-WFX	36 x 48	159	36.38
EPCSJ092-WFX	36 x 60	192	36.38
EPCSJ093-WFX	36 x 72	225	36.38
EPCSJ090-SFX	36 x 48	160	40.38
EPCSJ092-SFX	36 x 60	193	40.38
EPCSJ093-SFX	36 x 72	226	40.38

EPIC Tables with Stainless Steel Top: 42"D

Stainless Steel Top	Top D" x L"	Wgt	Overall H"
EPCSJ134-FX	42 x 48	179	29.74
EPCSJ099-FX	42 x 60	218	29.74
EPCSJ100-FX	42 x 72	256	29.74
EPCSJ134-WFX	42 x 48	181	36.38
EPCSJ099-WFX	42 x 60	220	36.38
EPCSJ100-WFX	42 x 72	258	36.38
EPCSJ134-SFX	42 x 48	182	40.38
EPCSJ099-SFX	42 x 60	221	40.38
EPCSJ100-SFX	42 x 72	259	40.38

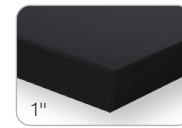
EPIC Tables w/ Phenolic Top



Fixed Frame: 16-gauge heavy duty fully assembled steel frame and legs with 10-gauge mounting plates, fixed heights with 3" heavy duty casters (Casters installed onsite by others and are NOT to be used as leveling devices.), smooth silver or textured black finish

Overall H":
-FX: 29.11" overall height
-WFX: 35.75" overall height
-SFX: 39.75" overall height

Phenolic Top: 1" black phenolic resin with 0.125" radius edge



Phenolic

EPIC Tables with Phenolic Top: 24"D

Phenolic Top	Top D" x L"	Wgt	Overall H"
EPC8068-FX	24 x 42	78	29.11
EPC8069-FX	24 x 48	85	29.11
EPC8070-FX	24 x 54	93	29.11
EPC8071-FX	24 x 60	100	29.11
EPC8072-FX	24 x 72	115	29.11
EPC8068-WFX	24 x 42	80	35.75
EPC8069-WFX	24 x 48	87	35.75
EPC8070-WFX	24 x 54	95	35.75
EPC8071-WFX	24 x 60	102	35.75
EPC8072-WFX	24 x 72	117	35.75
EPC8068-SFX	24 x 42	81	39.75
EPC8069-SFX	24 x 48	88	39.75
EPC8070-SFX	24 x 54	96	39.75
EPC8071-SFX	24 x 60	103	39.75
EPC8072-SFX	24 x 72	118	39.75

EPIC Tables with Phenolic Top: 30"D

Phenolic Top	Top D" x L"	Wgt	Overall H"
EPC8079-FX	30 x 42	91	29.11
EPC8080-FX	30 x 48	100	29.11
EPC8081-FX	30 x 54	109	29.11
EPC8082-FX	30 x 60	119	29.11
EPC8083-FX	30 x 72	138	29.11
EPC8079-WFX	30 x 42	93	35.75
EPC8080-WFX	30 x 48	102	35.75
EPC8081-WFX	30 x 54	111	35.75
EPC8082-WFX	30 x 60	121	35.75
EPC8083-WFX	30 x 72	140	35.75
EPC8079-SFX	30 x 42	94	39.75
EPC8080-SFX	30 x 48	103	39.75
EPC8081-SFX	30 x 54	112	39.75
EPC8082-SFX	30 x 60	122	39.75
EPC8083-SFX	30 x 72	141	39.75

EPIC Tables with Phenolic Top: 36"D

Phenolic Top	Top D" x L"	Wgt	Overall H"
EPC8090-FX	36 x 48	145	29.11
EPC8092-FX	36 x 60	175	29.11
EPC8093-FX	36 x 72	205	29.11
EPC8090-WFX	36 x 48	147	35.75
EPC8092-WFX	36 x 60	177	35.75
EPC8093-WFX	36 x 72	207	35.75
EPC8090-SFX	36 x 48	148	39.75
EPC8092-SFX	36 x 60	178	39.75
EPC8093-SFX	36 x 72	208	39.75

EPIC Tables with Phenolic Top: 42"D

Phenolic Top	Top D" x L"	Wgt	Overall H"
EPC8134-FX	42 x 48	179	29.11
EPC8099-FX	42 x 60	200	29.11
EPC8100-FX	42 x 72	235	29.11
EPC8134-WFX	42 x 48	181	35.75
EPC8099-WFX	42 x 60	202	35.75
EPC8100-WFX	42 x 72	237	35.75
EPC8134-SFX	42 x 48	182	39.75
EPC8099-SFX	42 x 60	203	39.75
EPC8100-SFX	42 x 72	238	39.75

Additional Options

	<i>Adder Code</i>	<i>Description</i>
<i>Premium Lotz AE™ Colors</i>		See Catalog for color selections.
<i>Premium Frame Colors</i>		See Catalog for color selections.
<i>Black Chemical Resistant Top</i>	-09C	Available on Laminate Top w/Lotz™ Armor Edge and Laminate Top w/3mm Edge Band. Specifically designed for highly corrosive environments and is ideal for applications where harsh cleaning agents may be over-used and damage other decorative surfaces.
<i>Markerboard Top</i>	-__MB	Available on Laminate Top w/Lotz™ Armor Edge and Laminate Top w/3mm Edge Band. Provided for the special needs of applications requiring a durable, gloss decorative surface that ensures easy erasure of dry erase markers. See Catalog for color selections.
<i>Metal Book Box</i>	-LB -DB -AB	Dimensions: 14.75"W x 16.31"D x 4.19"H -- Color: smooth silver & black Dimensions: 20"W x 18.31"D x 4.44"H -- Color: black Dimensions: 19.12"W x 14.93"D x 4.25"H -- Color: smooth silver & black
<i>Plastic Book Box</i>	-P20CH	20"W x 11"D x 4.157"H, charcoal
<i>Wire Basket</i>	-LW	Color: Smooth silver
<i>2" Backpack Hooks</i>	-BPH	Color: Smooth silver & black
<i>Casters</i>	-HDCC_	3" heavy-duty colored locking casters, raises height by 3.5", 250# capacity per leg
<i>Magnets</i>	2MA 4MA	Connecting magnets for HangOut Stools, 2 locations Connecting magnets for HangOut Stools, 4 locations
<i>Grommets</i>	GR	Per grommet hole, includes cut out and grommet with cover. (N/A on stainless steel tops.)
<i>Power Supply Modules</i>		See Catalog for options.
<i>Non-Standard Edge Band</i>		See Catalog for color selections.
<i>Modesty Panel</i>	9132 9133 LMOD LMOD	9"H Perforated metal modesty panel for 42"L & 48"L tops, silver 9"H Perforated metal modesty panel for 54"L & 60"L tops, silver 12"H laminate modesty panel for 42 & 48"L tops, see Catalog for color selections 12"H laminate modesty panel for 54", 60"L, & 72"L tops, see Catalog for color selections
<i>Custom Sizes</i>		Call Estimating