



Assembly Instructions

Quad XL

Before you begin, please make sure all parts and proper quantities are included. (See Part Identifier Key) Any parts damaged during shipment must be reported within 24 hours of receipt. To report information regarding damages or if you have any questions, please call 800.242.2303.

Step 1:

- Place the longer base cabinet upside down on a protected flat surface with its caster base facing up. **(Upon installer's discretion, remove doors and shelving before turning cabinets over to lessen the weight of the cabinets.)**

Step 2:

- Align caster with the threaded inserts. (See image to the right; threaded inserts are marked in red as an example for assembly instruction ONLY.)
- Use the 1/4-20x25mm joint connector bolts to attach casters to the base cabinet.
- Repeat for remaining casters. (Make sure you have two locking and two non-locking casters on this cabinet.)

Step 3:

- Repeat **Steps 1-2** for the two smaller base cabinets.

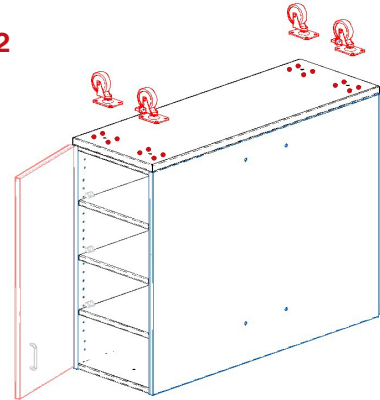
Step 4:

- With someone's help, position the cabinets right side up. Make sure to have the all locking casters' levers pushed down to secure cabinet in place.

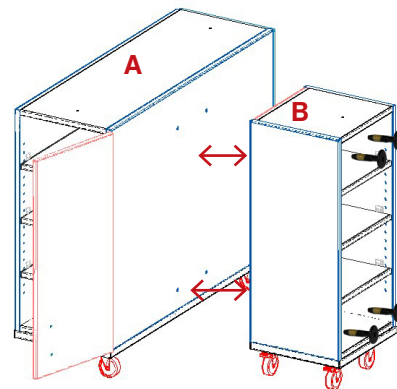
Step 5:

- Align the pre-drilled holes in cabinet **(B)** with the threaded inserts in cabinet **(A)**.
- With cabinets aligned together, connect them with the 1/4-20x30mm joint connector bolt w/ loc tite going through cabinet **(B)**. Use a 4mm Allen wrench or 4mm hex bit and a screw gun to tighten.
- Use 4 bolts total to connect cabinet **(A)** to cabinet **(B)**.
- Repeat **Step 5** with the second base cabinet.

Steps 1-2



Step 5



Tools Required

- 4mm Allen wrench OR
- 4mm Hex bit
- Drill extension
- Phillips drill bit
- Screw gun
- #2 square bit

Step 6:

- Place top on base cabinets. Align pre-drilled holes on the base cabinets with threaded inserts in the top. (There will be two pre-drilled holes in cabinet **(A)** and one pre-drilled hole in each of the smaller cabinets.)
- Using a 1/4-20x30mm joint connector bolt, (going through one of the base cabinets) insert the bolt through the pre-drilled hole up into the threaded insert of the top. Use a 4mm Allen wrench or 4mm Hex bit and a screw gun to fasten the bolt into place.
- Repeat **Step 6** for the other base cabinets.
- If shelving and doors were removed, place shelving in first and then attach the doors.

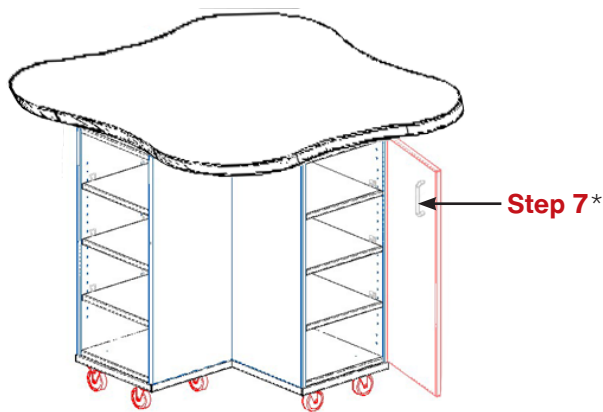
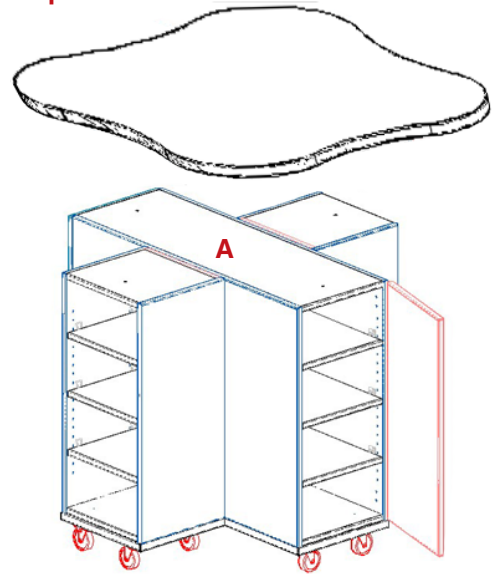
Step 7:

- Wire pulls are factory installed on the inside of door/s to prevent damage in transit. (If you have a base cabinet with double doors, use the clear tab to open the doors.)
- Unscrew each wire pull handle using a Phillips drill bit and a screw gun.






Step 8:

- Reattach with wire pull on the outside of the cabinet.
- Repeat for other wire pull.

Step 6



Part Identifier Key

Part #	Description	Qty.	
0400236	1/4-20x30mm joint connector bolt w/ loctite <i>(Used to attach 2 smaller base cabinets to the larger base cabinet)</i>	8 (4 per side)	
040681	#10 1 1/2" square-drive flat head screw for wood <i>(Used to attach caster base to the 3 base cabinets)</i>	12 (4 for each base cabinet)	
Cast1 0400484	3" heavy duty plate casters w/ out brake	6 (2 for each base cabinet)	
Cast1 0400485	3" heavy duty plate casters w/ brake	6 (2 for each base cabinet)	
Cast1 04066947	1/4-20x25mm joint connector bolt (black) <i>(Used to apply casters)</i>	48 (16 for each base cabinet)	
0400236	1/4-20x30mm joint connector bolt (black) <i>(Used to attach base cabinet to top)</i>	4 (2 for base cabinet w/ doors) (1 for each base cabinet wo/ doors)	