

Assembly Instructions

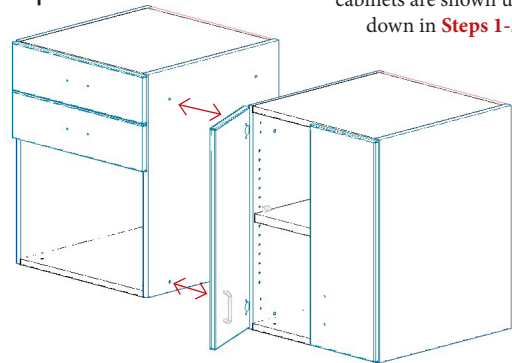
Before you begin, please make sure all parts and proper quantities are included. (See Part Identifier Key) Any parts damaged during shipment must be reported within 24 hours of receipt. To report information regarding damages or if you have any questions, please call 800.242.2303.

Step 1:

- Place one of the base cabinets upside down on a protected flat surface with its sub-bottom facing up. (Upon installer's discretion, remove doors, shelving & drawers before turning cabinets over to lessen the weight of the cabinets.)
- Repeat above step for the other base cabinet but when you're placing it down on the protected surface, align the pre-drilled holes on the side of both cabinets with each other.

Step 1

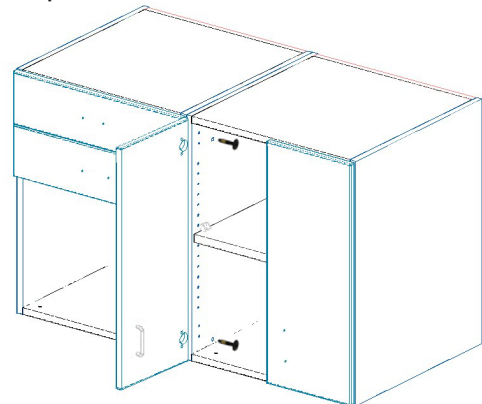
Images of these base cabinets are shown upside down in **Steps 1-5**.



Step 2:

- With cabinets aligned together, place the 1/4-20 x 30mm joint connector bolt w/ loctite through pre-drilled hole on the inside of one of the cabinets making sure bolt is pushed as far as it can go.
- While holding the joint connector bolt flush to the cabinet, take a 1/4-20x17mm joint connector nut and attach it to the end of the bolt (located in other base cabinet) turning it clockwise until it's completely on. Use a 4mm Allen wrench or 4mm Hex bit and a screw gun to tighten as needed.
- Repeat **Step 2** with the remaining bolts and connector nuts. There will be a total of 4 each. (See **Step 1** image for the location of the pre-drilled pilot holes.)

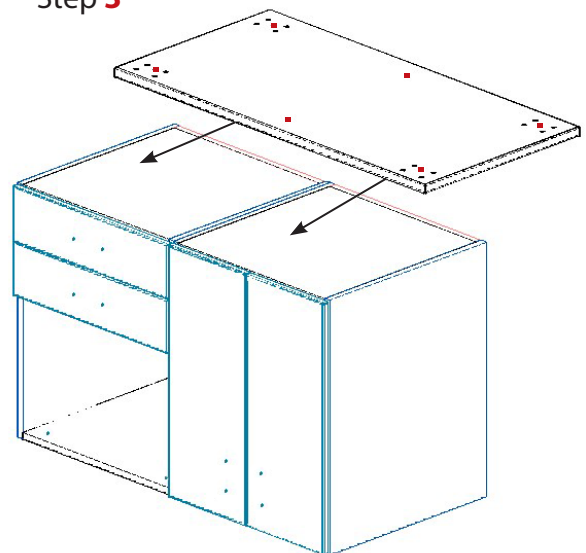
Step 2



Step 3:

- With both cabinets attached together, take caster base and center it on the two cabinets with threaded inserts facing up.
- Using #2 square bit, attach caster base to the base cabinets using #10 1 1/2" square-drive flat head screws. (See image to the right; pre-drilled pilot holes are marked in red as an example for assembly instructions ONLY.)

Step 3



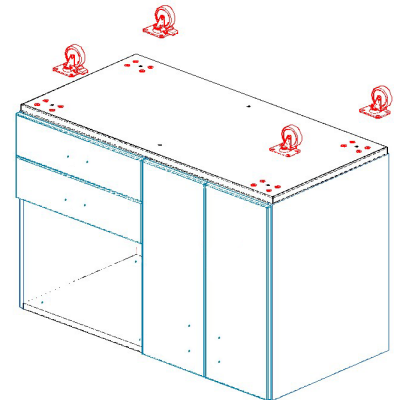
Assembly Instructions

Before you begin, please make sure all parts and proper quantities are included. (See Part Identifier Key) Any parts damaged during shipment must be reported within 24 hours of receipt. To report information regarding damages or if you have any questions, please call 800.242.2303.

Step 4:

- Align caster with the threaded inserts. (See image to the right; threaded inserts are marked in red as an example for assembly instruction ONLY.)
- Use the ¼-20x25mm joint connector bolts to attach casters to the base cabinet.
- Repeat for the remaining casters.

Step 4



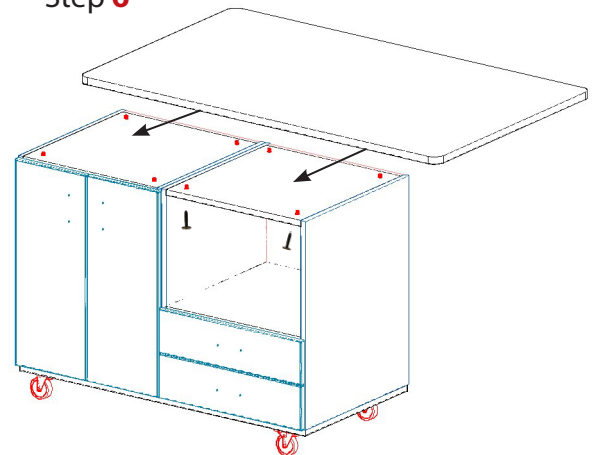
Step 5:

- With someone's help, position the cabinet right side up. Make sure to have the two locking casters' levers pushed down to secure cabinet in place.

Step 6:

- Place top on base cabinets. Align pre-drilled holes on the base cabinets with threaded inserts in the top.
- Using a ¼-20x30mm joint connector bolt, (going through one of the base cabinets) insert the bolt through the pre-drilled hole up into the threaded insert of the top. Use a 4mm Allen wrench or 4mm Hex bit and a screw gun to fasten the bolt into place.
- After the first bolt is fastened, proceed attaching the remaining bolts in that cabinet. (4 per cabinet)
- Repeat **Step 6** for the other base cabinet.
- If shelving, doors and drawers were removed, place drawers back in place, shelving next and then attach the doors.

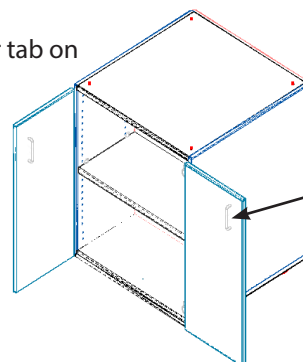
Step 6



Step 7:

- Wire pulls are factory installed on the inside of door/s and or drawer/sto prevent damage intransit. (If you have a base cabinet with double doors, use the clear tab to open the doors.)
- Unscrew each wire pull handle using a Phillips drill bit and a screw gun.
- Reattach with wire pull on the outside of the cabinet.
- Repeat for each of the wire pulls for both base cabinets if needed.
- If base cabinet has double doors, please remove clear tab on door.

Clear tab used to help open cabinets w/ double doors.



Step 7



Part Identifier Key

| Part # | Description | Qty. | |
|----------|---|------|---|
| 0400236 | ¼-20x30mm joint connector bolt w/ loctite <i>(Used to attach 2 base cabinets together)</i> | 4 |  |
| 0404229 | ¼-20x17mm joint connector nut <i>(Used to attach 2 base cabinets together)</i> | 4 |  |
| 040681 | #10 1½" square-drive flat head screw for wood <i>(Used to attach caster base to the 2 base cabinets)</i> | 6 |  |
| 0400484 | 3" heavy duty plate casters w/ out brake | 2 |  |
| 0400485 | 3" heavy duty plate casters w/ brake | 2 |  |
| 04066947 | ¼-20x25mm joint connector bolt (black) <i>(Used to apply casters)</i> | 16 |  |
| 0400236 | ¼-20x30mm joint connector bolt (black) <i>(Used to attach base cabinet to top)</i> | 8 |  |

Tools Required

- 4mm Allen wrench OR
- 4mm Hex bit
- Drill extension
- Phillips drill bit
- Screw gun
- #2 square bit